

Accessories Catalog

TABLE OF CONTENTS:

GAUGE CARRIER..... 3

7-1/2" GEO ROLLER CENTRALIZER 4

3.0"-7.0" GEO SLIPOVER CENTRALIZER 5

4" CENTRALIZER 6

7-3/4" CENTRALIZER 7

INSTRUMENT SLIDE 8

OVERSHOT WITH GRAPNEL 9

OVERSHOT GRAB 10

WIRELINE GRAPNEL..... 11

SHOCK ABSORBER..... 12

TUBE TYPE JAR 13

SINKER BAR..... 14

EXTENSION BAR..... 15

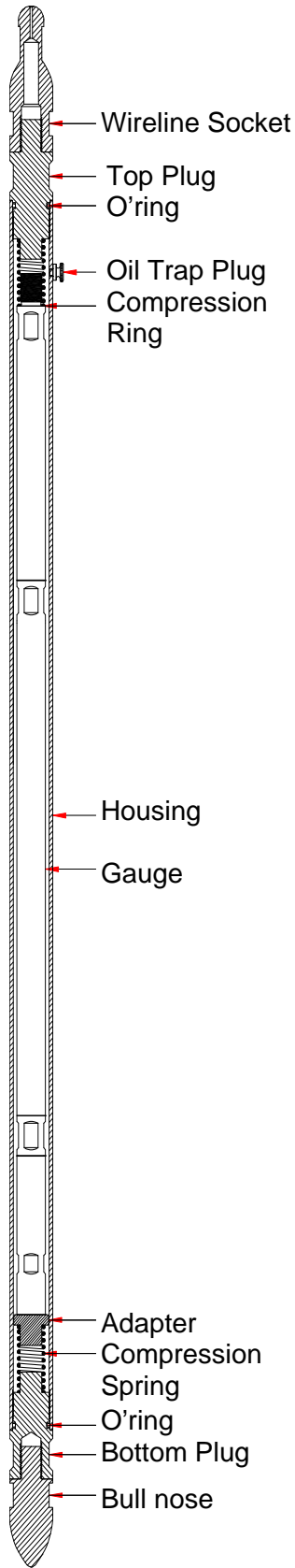
UNIVERSAL JOINT..... 16

TANDEM SUB, ADAPTER, CROSSOVER..... 17



Kuster, a Probe Company
2900 E. 29th Street, Long Beach, CA 90806
www.kusterco.com
www.probe1.com

GAUGE CARRIER

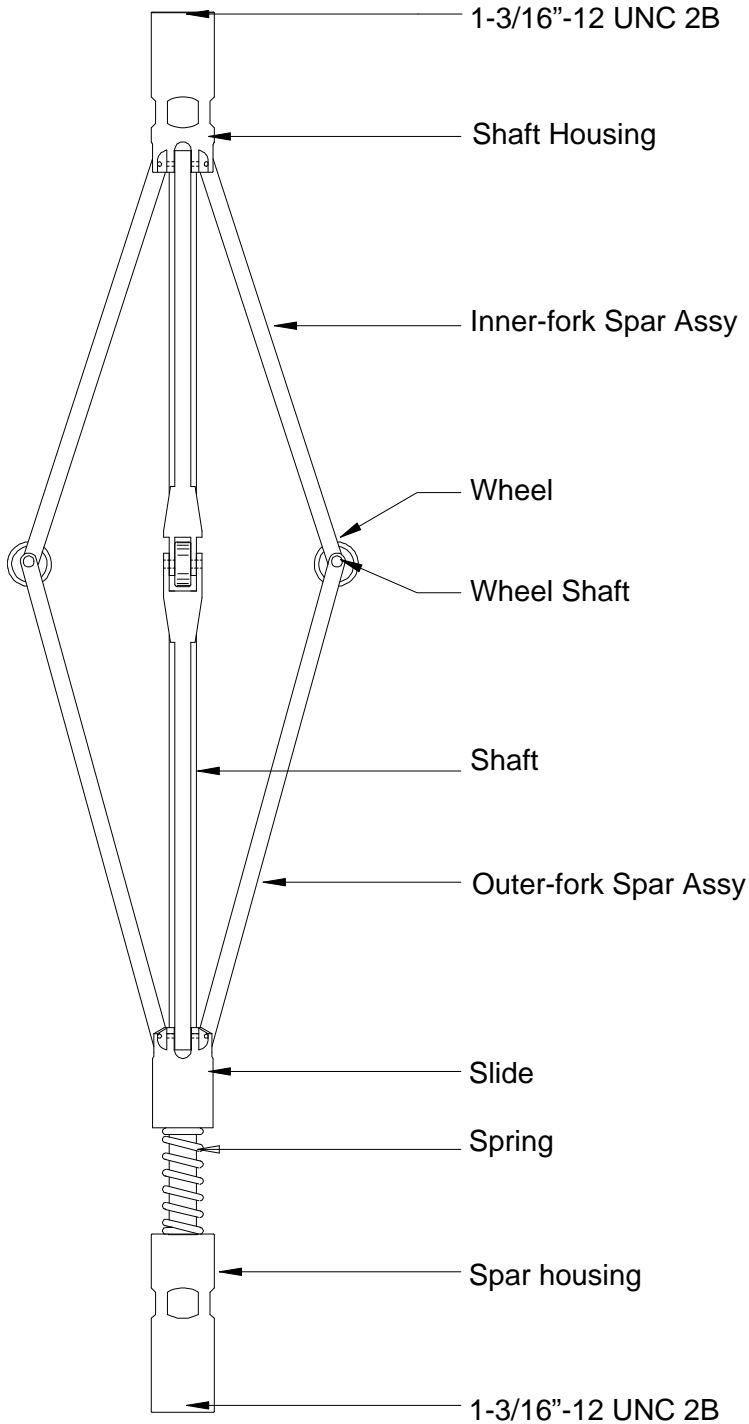


Carrier diameter	Gauge diameter	Part number
1-1/4"	3/4"	18500-825
1-1/2"	1.00"	18500-850
1-3/4"	1-1/4"	18500-875



Kuster, a Probe Company
 2900 E. 29th Street, Long Beach, CA 90806
www.kusterco.com
www.probe1.com

7-1/2" GEO ROLLER CENTRALIZER

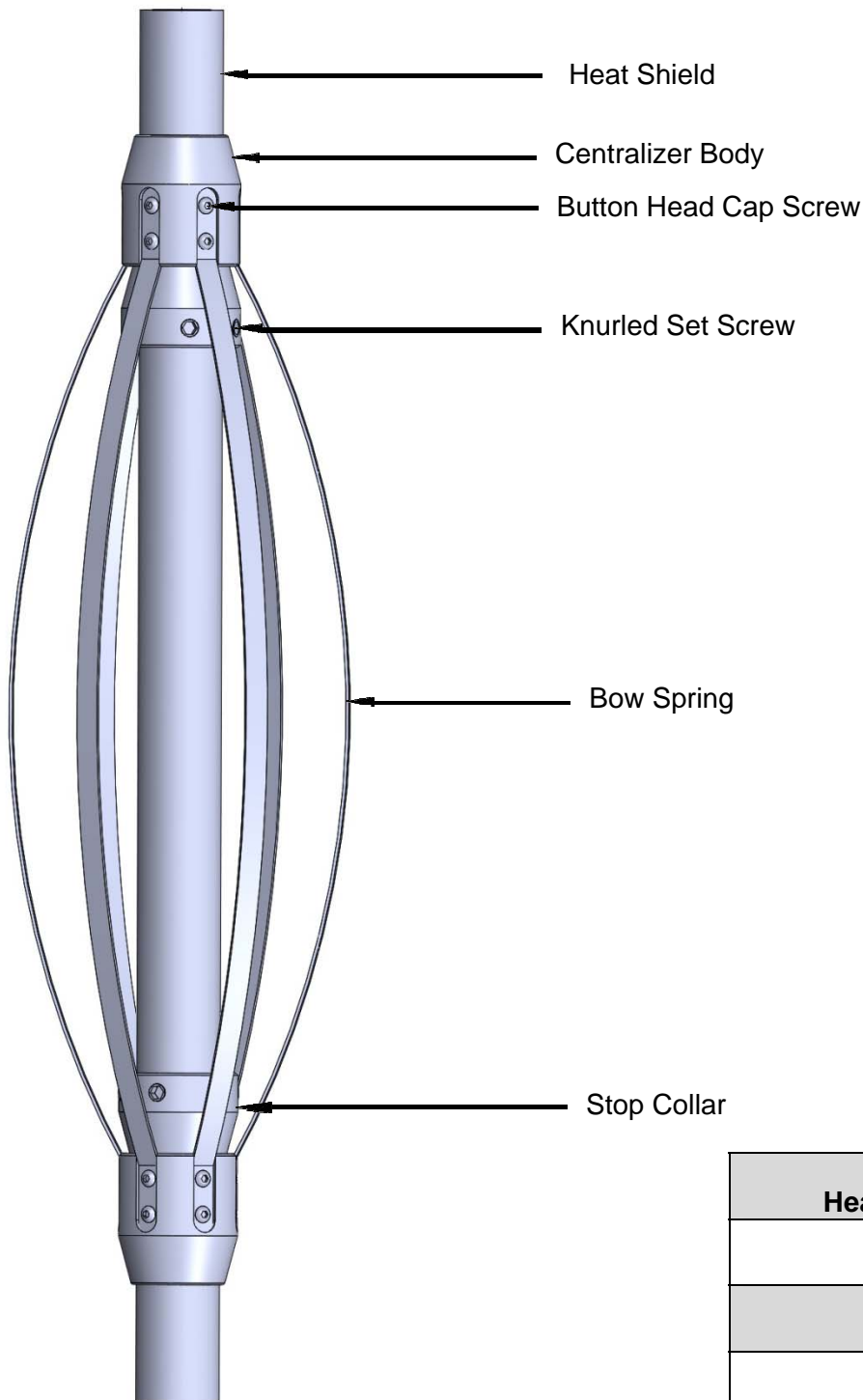


Diameter opened	7-1/2"
Diameter folded	2-1/4"
Part Number	18600-585



Kuster, a Probe Company
 2900 E. 29th Street, Long Beach, CA 90806
www.kusterco.com
www.probe1.com

3.0"-7.0" GEO SLIPOVER CENTRALIZER

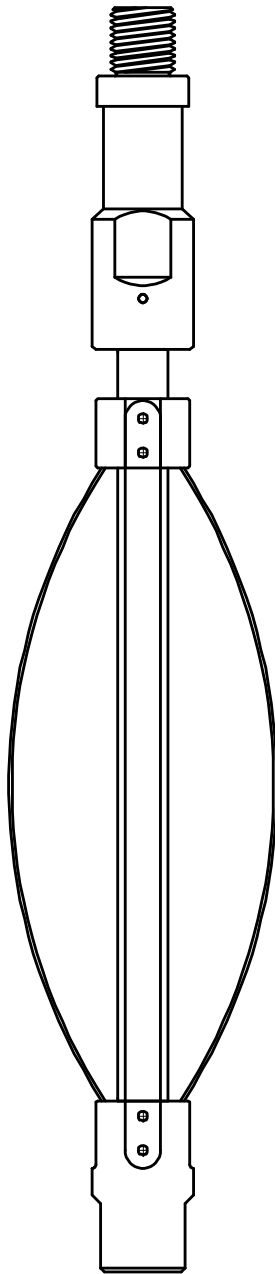


Heat Shield Ø	Centralizer P/N
1.75"	11250-105
1-11/16"	11250-106
1.83"	11250-107



Kuster, a Probe Company
2900 E. 29th Street, Long Beach, CA 90806
www.kusterco.com
www.probe1.com

4" CENTRALIZER

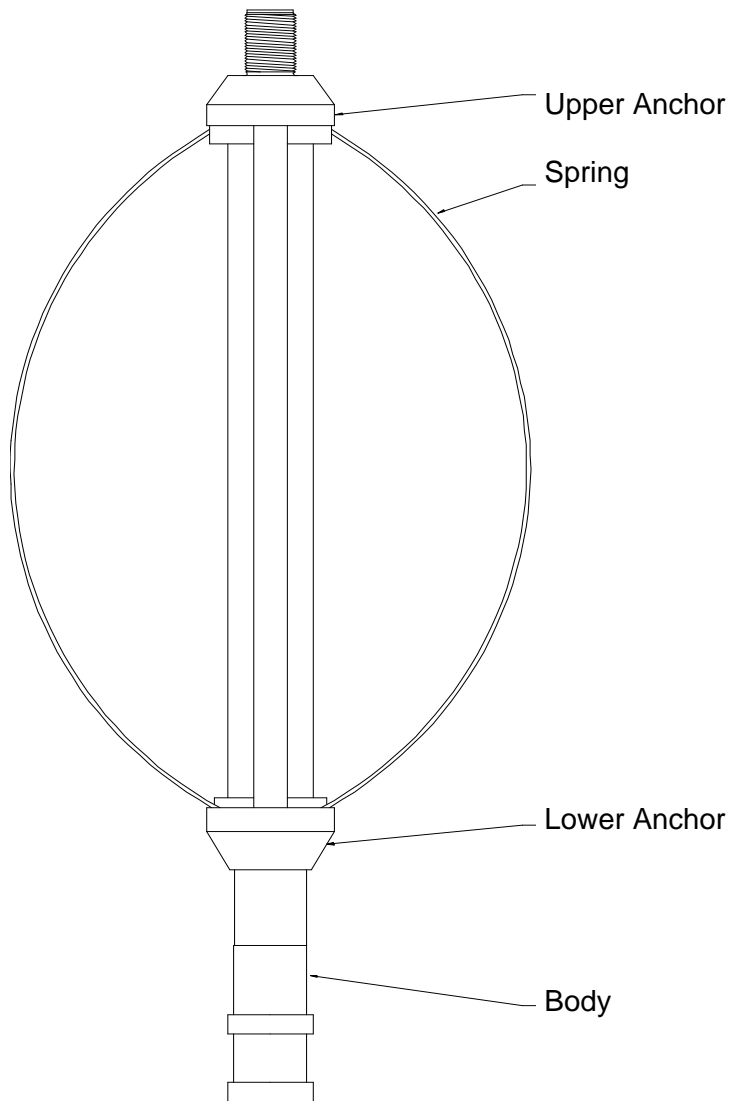


Body O.D.	Threads	Part Numbers
1-1/2"	3/4-16 Pin /Box	11250-101 Mat'l: 17-4 SS
1-1/2"	5/8 API Pin/Box	11250-102 Mat'l: 17-4 SS



Kuster, a Probe Company
2900 E. 29th Street, Long Beach, CA 90806
www.kusterco.com
www.probe1.com

7-3/4" CENTRALIZER

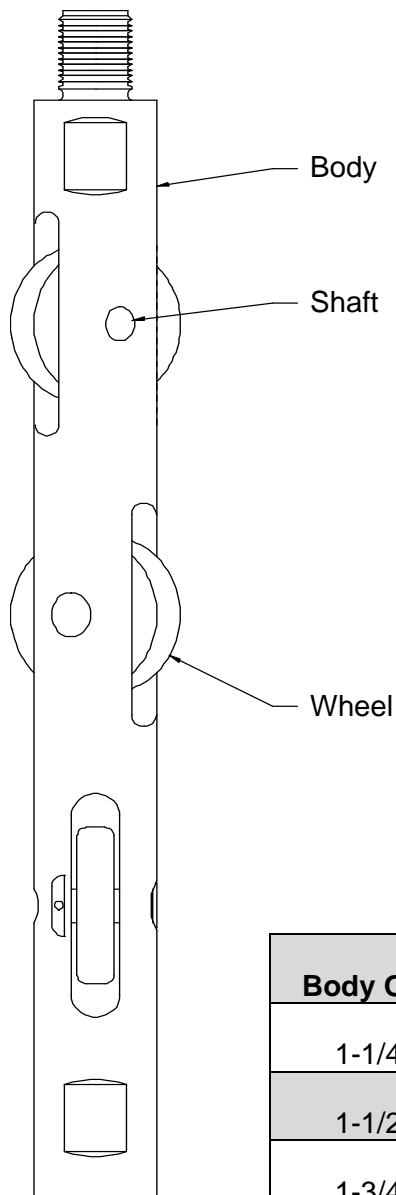


Anchor O.D.	Threads	Part Numbers
1-7/8"	3/4-16 Pin x 3/4-16 Box	11234-101



Kuster, a Probe Company
2900 E. 29th Street, Long Beach, CA 90806
www.kusterco.com
www.probe1.com

INSTRUMENT SLIDE

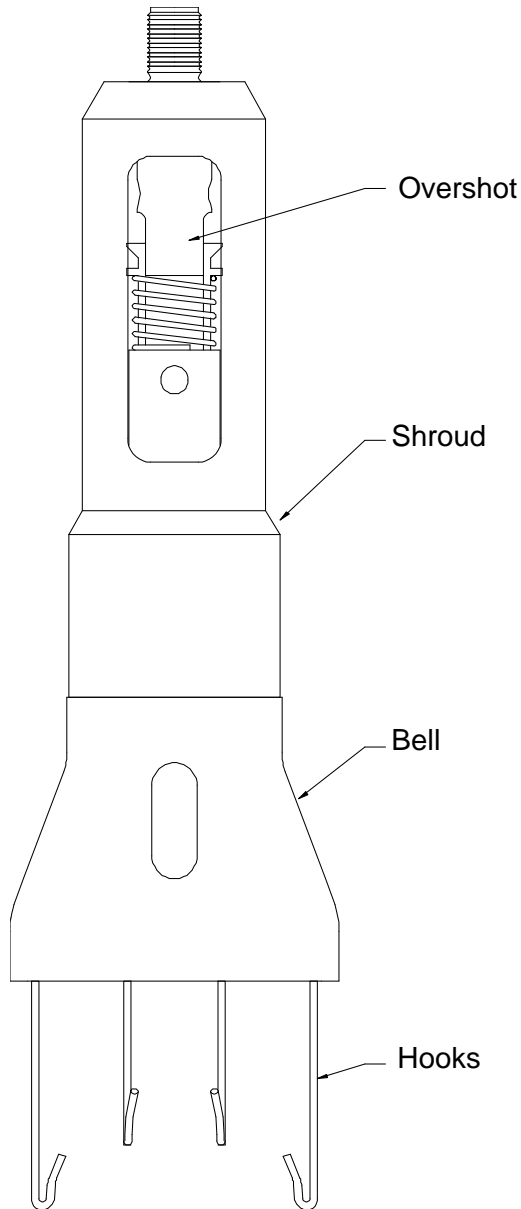


Body O.D.	Wheel O.D.	Threads	Part Numbers
1-1/4"	1-3/4"	3/4-16 Pin x 3/4-16 Box	10320-101
1-1/2"	2"	3/4-16 Pin x 3/4-16 Box	10320-102
1-3/4"	2-1/4"	3/4-16 Pin x 3/4-16 Box	10320-103



Kuster, a Probe Company
 2900 E. 29th Street, Long Beach, CA 90806
www.kusterco.com
www.probe1.com

OVERSHOT WITH GRAPNEL

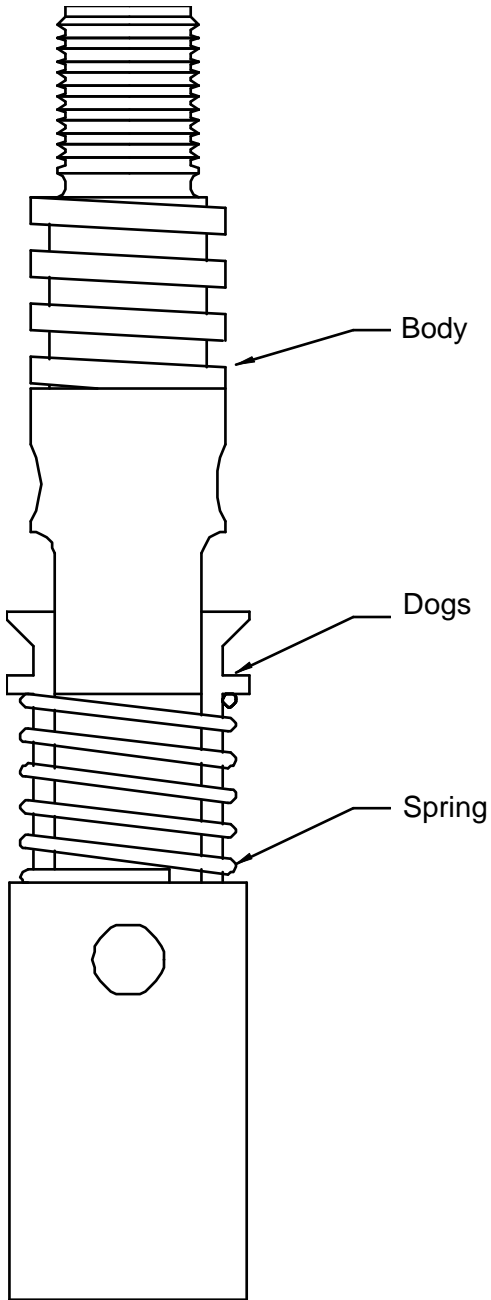


O.D.	Part Numbers
4-1/2"	11257-101
6-1/2"	11257-102



Kuster, a Probe Company
2900 E. 29th Street, Long Beach, CA 90806
www.kusterco.com
www.probe1.com

OVERSHOT GRAB

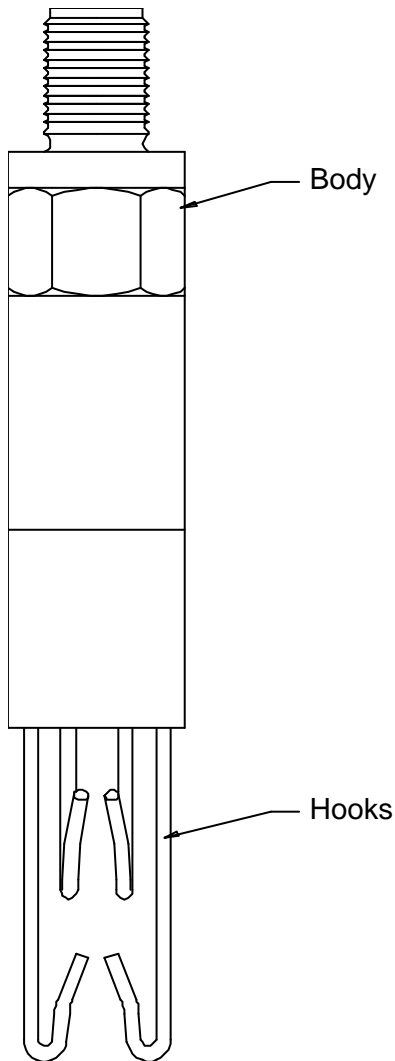


O.D.	Threads	Part Numbers
1-1/4"	3/4-16	11251-101
1-1/4"	5/8 API	11251-102
1-3/4"	1-3/4 HK	11271-101
3/4"	1/2-20	11281-101



Kuster, a Probe Company
 2900 E. 29th Street, Long Beach, CA 90806
www.kusterco.com
www.probe1.com

WIRELINE GRAPNEL

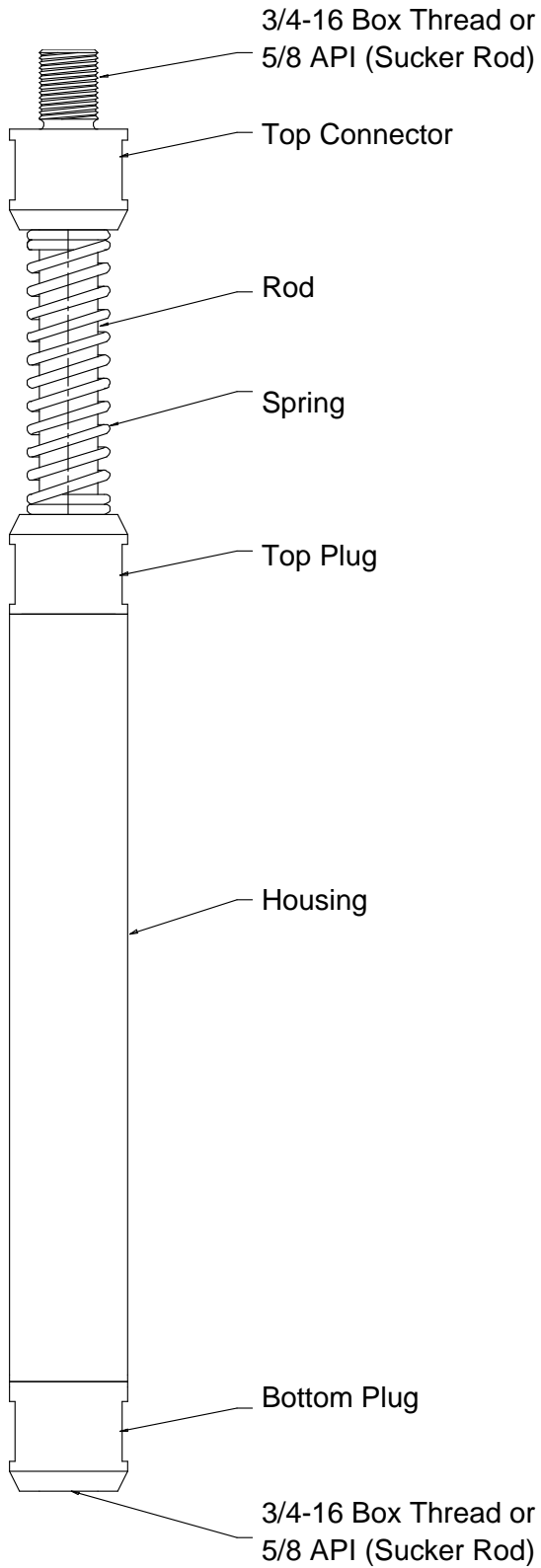


O.D.	Threads	Part Numbers
1-1/4"	3/4-16	11248-101
1-1/4"	5/8 API	11248-102



Kuster, a Probe Company
2900 E. 29th Street, Long Beach, CA 90806
www.kusterco.com
www.probe1.com

SHOCK ABSORBER

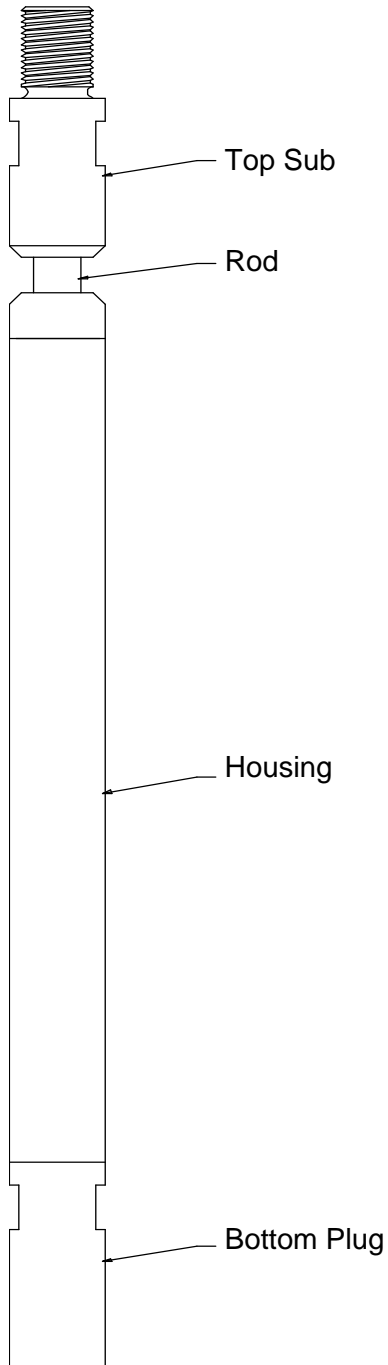


O.D.	Thread	Material	Part Number
1-1/2"	3/4"-16	17-4 SS	10316-101
1-1/2"	5/8"-API	17-4 SS	10316-102
1-1/2"	3/4"-16	Inconel 718	10317-101



Kuster, a Probe Company
 2900 E. 29th Street, Long Beach, CA 90806
www.kusterco.com
www.probe1.com

TUBE TYPE JAR

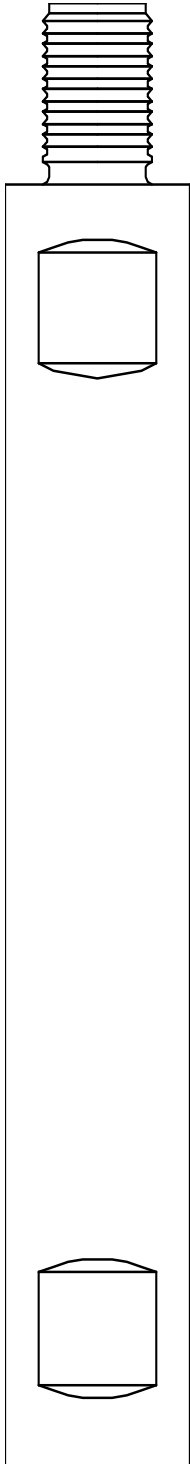


O.D.	Stroke	Thread	Part Number
3/4"	4"	1/2"-20	484-101
3/4"	12"	1/2"-20	484-102
1"	6"	3/4"-16	11220-101
1-1/4"	6"	3/4"-16	11221-101
1-1/4"	6"	5/8" API	11221-102
1-1/4"	6"	3/4"-16 Box-5/8 API Pin	11221-103
1-1/4"	6"	5/8"API Box-3/4"-16 Pin	11221-104
1-1/4"	6"	3/4"-16 Box-3/4"-16 Pin	11221-201 SS



Kuster, a Probe Company
 2900 E. 29th Street, Long Beach, CA 90806
www.kusterco.com
www.probe1.com

SINKER BAR

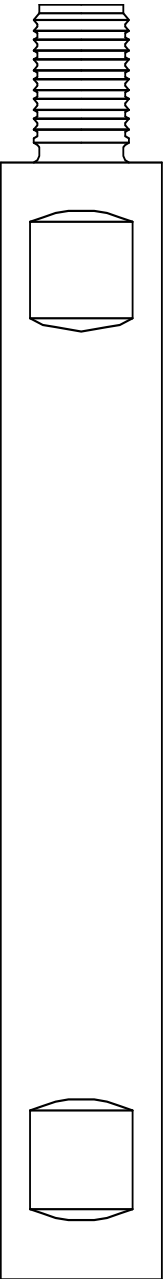


Material	O.D.	Length, ft	Weight, lb	Thread	Use	Part Number
303SS	3/4"	1	1.5	1/2"-20	K4	480-001
303SS	3/4"	2	3	1/2"-20	K4	480-002
303SS	3/4"	3	4.5	1/2"-20	K4	480-003
Lead Fill	3/4"	1	2	1/2"-20	K4	481-101
Lead Fill	3/4"	2	4	1/2"-20	K4	481-102
Lead Fill	3/4"	3	6	1/2"-20	K4	481-103
303SS	1"	1	2.7	3/4"-16	K2	11201-001
303SS	1"	2	5.4	3/4"-16	K2	11201-002
303SS	1"	3	8.1	3/4"-16	K2	11201-003
303SS	1"	4	10.8	3/4"-16	K2	11201-004
Lead Fill	1"	1	3.3	3/4"-16	K2	11203-101
Lead Fill	1"	2	6.6	3/4"-16	K2	11203-102
Lead Fill	1"	3	9.9	3/4"-16	K2	11203-103
Lead Fill	1"	4	13.2	3/4"-16	K2	11203-104
303SS	1-1/4"	1	4.1	3/4"-16	KPG	11205-001
303SS	1-1/4"	2	8.2	3/4"-16	KPG	11205-002
303SS	1-1/4"	3	12.3	3/4"-16	KPG	11205-003
303SS	1-1/4"	4	16.4	3/4"-16	KPG	11205-004
303SS	1-1/4"	5	20.5	3/4"-16	KPG	11205-005
303SS	1-1/4"	6	24.6	3/4"-16	KPG	11205-006
303SS	1-1/4"	1	4.1	5/8 API	KPG	11205-007
303SS	1-1/4"	2	8.2	5/8 API	KPG	11205-008
303SS	1-1/4"	3	12.3	5/8 API	KPG	11205-009
303SS	1-1/4"	4	16.4	5/8 API	KPG	11205-010
303SS	1-1/4"	5	20.5	5/8 API	KPG	11205-011
303SS	1-1/4"	6	24.6	5/8 API	KPG	11205-012
Brass	1-1/4"	4	18.4	5/8 API	KPG	11205-017
Lead Fill	1-1/4"	1	5.1	3/4"-16	KPG	11207-101
Lead Fill	1-1/4"	2	10.7	3/4"-16	KPG	11207-102
Lead Fill	1-1/4"	3	16.4	3/4"-16	KPG	11207-103
Lead Fill	1-1/4"	4	22.1	3/4"-16	KPG	11207-104
Lead Fill	1-1/4"	5	27.7	3/4"-16	KPG	11207-105
Lead Fill	1-1/4"	6	33.4	3/4"-16	KPG	11207-106
Lead Fill	1-1/4"	1	5.0	5/8 API	KPG	11207-107
Lead Fill	1-1/4"	2	10.6	5/8 API	KPG	11207-108
Lead Fill	1-1/4"	3	16.3	5/8 API	KPG	11207-109
Lead Fill	1-1/4"	4	22.0	5/8 API	KPG	11207-110
Lead Fill	1-1/4"	5	27.6	5/8 API	KPG	11207-111
Lead Fill	1-1/4"	6	33.3	5/8 API	KPG	11207-112



Kuster, a Probe Company
 2900 E. 29th Street, Long Beach, CA 90806
www.kusterco.com
www.probe1.com

EXTENSION BAR

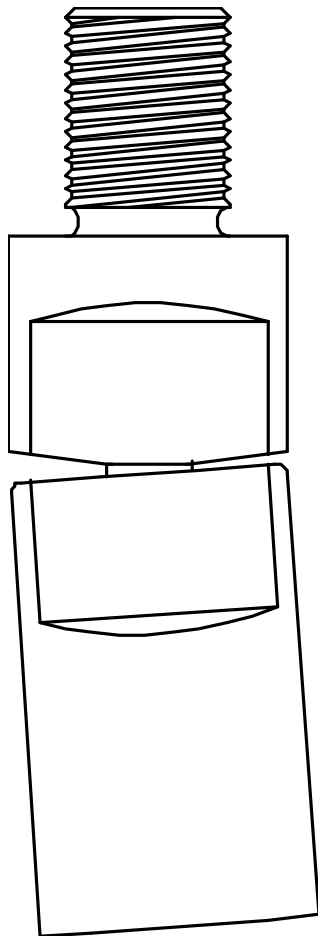


O.D.	Length, ft	Thread	Part No.
1-1/4"	2	3/4"-16	11205-014
1-1/4"	3	3/4"-16	11205-015
1-1/4"	4	3/4"-16	11205-016



Kuster, a Probe Company
 2900 E. 29th Street, Long Beach, CA 90806
www.kusterco.com
www.probe1.com

UNIVERSAL JOINT

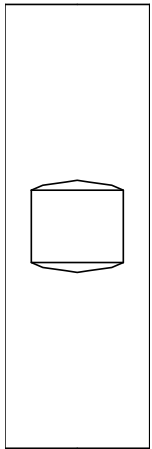
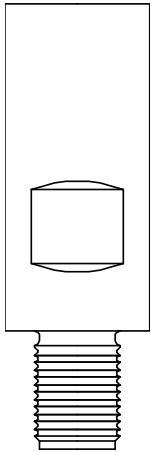
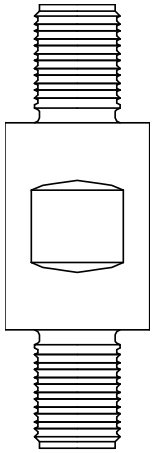


O.D.	Thread	Part Number
3/4"	Box 1/2"-20 x Pin 1/2"-20	485-101
1"	Box 3/4"-16 x Pin 3/4"-16	11211-101
1"	Box 3/4"-16 x Pin 5/8 API	11211-102
1-1/4"	Box 3/4"-16 x Box 3/4"-16	11213-101
1-1/4"	Box 3/4"-16 x Pin 3/4"-16	11213-102
1-1/4"	Box 3/4"-16 x Box 1.082-20	11213-103
1-1/4"	Box 3/4"-16 x Box 5/8 API	11213-104
1-1/4"	Box 3/4"-16 x Pin 5/8 API	11213-105
1-1/4"	Box 5/8 API x Pin 5/8 API	11213-106



Kuster, a Probe Company
 2900 E. 29th Street, Long Beach, CA 90806
www.kusterco.com
www.probe1.com

TANDEM SUB, ADAPTER, CROSSOVER



O.D.	Body Length	Thread	Use	P/N
1-1/4"	1-1/16"	Pin 3/4"-16 x Pin 1.082-20	T/meter Well Adapter	10041-002
1-1/4"	2.00"	Pin 3/4"-16 x Box 1.082-20	Tandem, KPG	10041-004
1-1/4"	2.00"	Pin 5/8 API x Box 1.082-20	Tandem, KPG	10041-005
1-1/4"	3.00"	Box 3/4"-16 x Box 3/4"-16	Tandem KPG	10043-001
1-1/4"	3-1/4"	Box 3/4"-16 x Box 1.082-20	Tandem-Oil Trap, KPG	10043-002
1-1/4"	2-3/8"	Box 3/4"-16 x Pin 5/8" API	Tandem KPG	10043-003
1-1/4"	2-3/8"	Box 3/4"-16 x Pin 3/4"-16	Tandem KPG	10043-004
1-1/4"	1-1/4"	Pin 3/4"-16 x Pin 3/4"-16	Tandem KPG	10043-005
1-1/4"	2-3/8"	Box 5/8 API x Pin 5/8 API	Tandem, KPG	10044-001
1-1/4"	3-3/4"	Box 3/4"-16 x Box 5/8" API	Tandem, KPG	10044-002
1-1/4"	3-3/4"	Box 5/8 API x Box 1.082-20	Tandem-Oil Trap KPG	10044-003
1-1/4"	3-3/4"	Box 5/8 API x Box 5/8 API	Tandem, KPG	10044-004
1-1/2"	1.00"	Box 3/4"-16 x Pin 3/4"-16	Shock Absorber	10315-006
1-1/2"	1.00"	Box 3/4"-16 x Pin 3/4"-16	Shock Absorber-SS	10316-006
1-1/4"	1-7/8"	Pin 3/4"-16 x Box 5/8"-18	Tube Jar Top Sub	11221-001
1-1/4"	1-7/8"	Pin 5/8 API x Box 5/8"-18	Tube Jar Top Sub	11221-002
1-1/4"	2-1/2"	Box 3/4"-16 x Pin 1.070-32	Tube Jar Bottom Plug	11221-007
1-1/4"	2-1/2"	Box 5/8 API x Pin 1.070-32	Tube Jar Bottom Plug	11221-008
1-1/4"	4.00"	Box 3/4"-16 x Box 1.112-24	Tandem Sampler	11504-001
1-1/4"	1.00"	Pin 5/8 API x Pin 1.082-20	Top Sub, Sampler	11539-001
1-1/4"	1-5/8"	Pin 3/4"-16 x Box 1/2"-20	Tandem	408-001



Kuster, a Probe Company
 2900 E. 29th Street, Long Beach, CA 90806
www.kusterco.com
www.probe1.com